



**SELF-PROPELLED  
CONCRETE PLACING BOOMS**  
with  
4X4 HYDROSTATIC DRIVE

**BW**

Series

BW 19

BW 21

BW 24

Striker BW 309



## Upgrade Your “Stationary Pump” to “Boom Pump” by Using World’s Unique 4WD Hydraulic Placing Boom

- Self Propulsion With 4x4 Hydrostatic Traction System
- Proportional Logic Radio Remote Control With Joy-Stick  
Commanding both:
  - Hydrostatic drive and steer during travelling
  - Boom operation during concrete placing

BW 21



BW 19



*Striker BW 309*

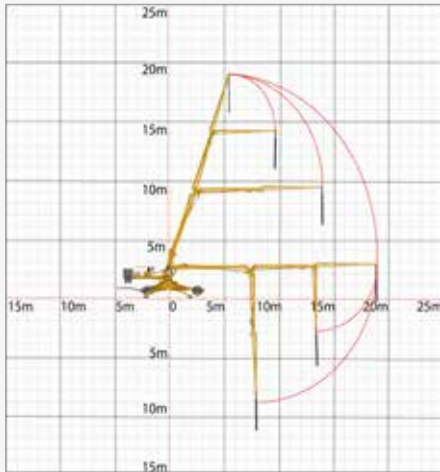




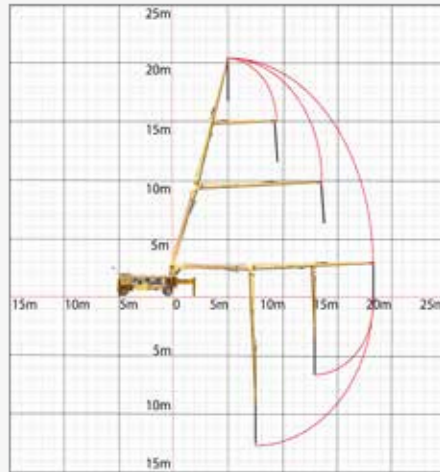
# BW Series / Features & Dimensions

BW				
PROPERTIES	BW 19	BW 21	BW 24	Striker BW 309
Diesel Engine Power	24-36 kW	24-45 kW	24-45 kW	20-36 kW
Max. Reach of Height	19 m	21 m	24 m	11.2 m
Max. Horizontal Reach	17 m	19 m	21 m	9 m
360° Slew Motion	Std.	Std.	Std.	Std.
Radio Remote Control	Std.	Std.	Std.	Std.
Proportional Command	Std.	Std.	Std.	Std.
Emergency Hand Pump	Std.	Std.	Std.	Std.
4-Outriggers with Hydraulic Lift Jacks	Std.	Std.	Std.	Std.
Folded Transport Dimensions				
Overall Length	10670 mm	6900 mm	9800 mm	6100 mm
Overall Height	2600 mm	2600 mm	2600 mm	2540 mm
Overall Width	2300 mm	2250 mm	2250 mm	2200 mm
Operating Weight	8500 kg	9000 kg	12200 kg	2200 kg

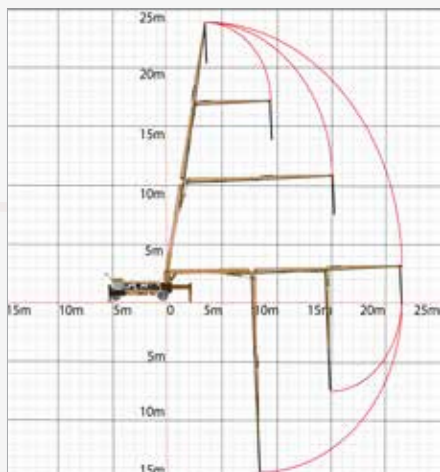
**BW 19**



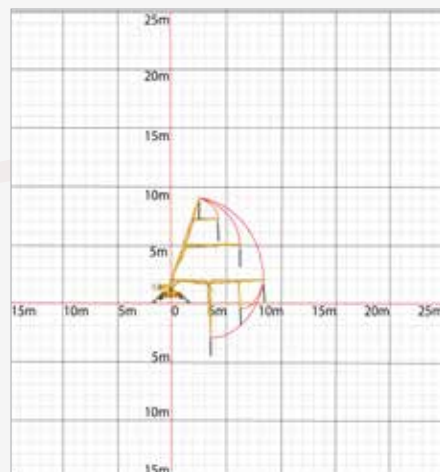
**BW 21**



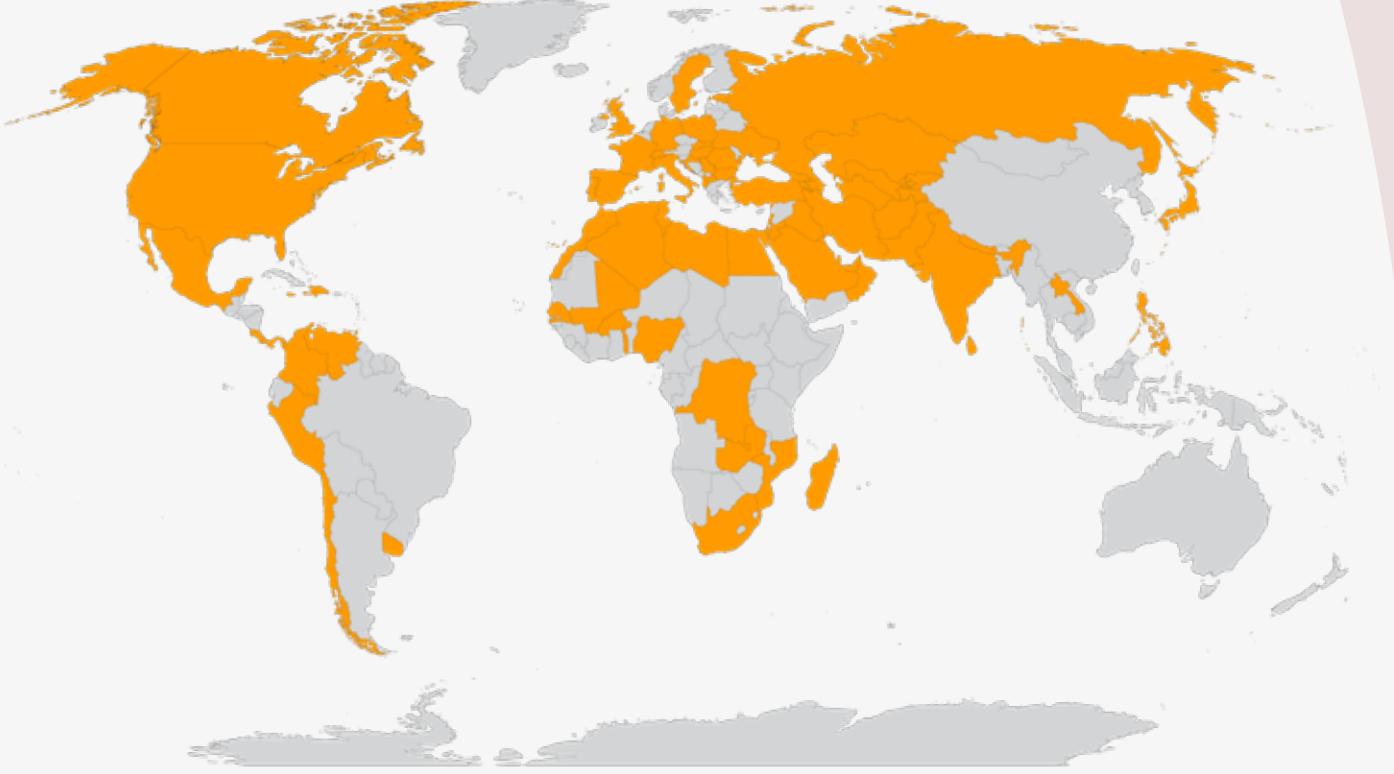
**BW 24**



**BW 309**



Atabey; Common language of concrete  
placer's in more than 70 countries



/AtabeyBetonMakinalari



/atabeyconstructionequipment



atabey construction equipment



## ATABEY CONSTRUCTION EQUIPMENT

Address: Keresteciler San. Sit. 4. Cad. No: 39 Kahramankazan / Ankara - TURKEY  
Phone: +90 312 441 11 33 Fax: +90 312 441 58 88  
www.atabeymakina.com