



ROTARY DISTRIBUTORS

BMP

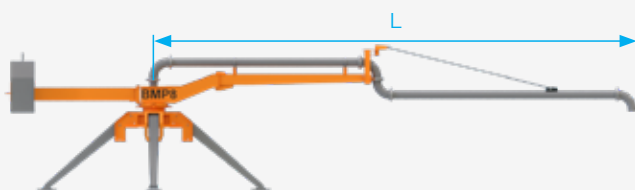
Series

- BMP 8
- BMP 10
- BMP 12
- BMP 14
- BMP 18



Lightest and Also Strongest

- Easily Transported, Thanks to The Modular Structure
- Economical
- Lightest and Also Strongest In Its Class Thanks To the Unique Structure Reduces The Cost



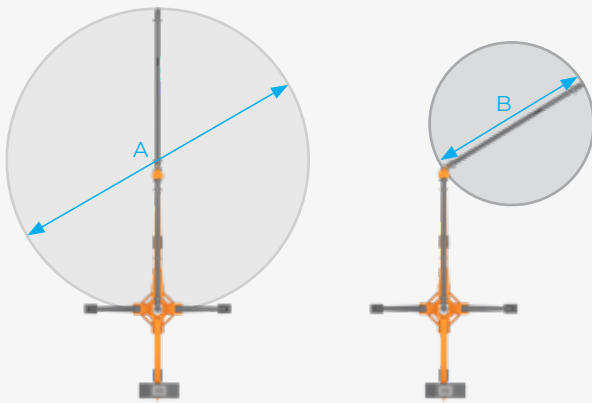
Side View

<u>Model</u>	<u>L</u>
BMP 8	8 m
BMP 10	10 m
BMP 12	12 m
BMP 14	14 m
BMP 18	18 m

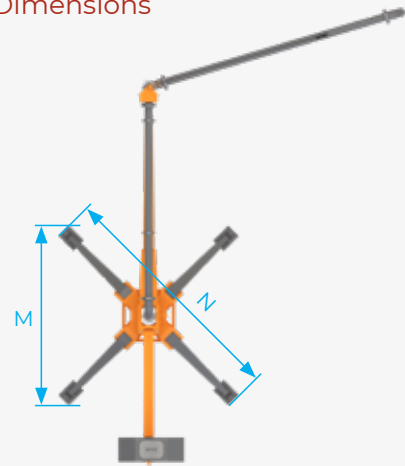
BMP Series / General Features

Models	Distribution Deameter		Distribution Area	Length Dimensions		Weights		
	A	B		M	N	Chassis	Ballast	Total
BMP 8	16.0 m	8.9 m	201 m ²	2367 mm	2317 mm	706 kg	580 kg	1286 kg
BMP 10	20.0 m	10.9 m	314 m ²	2655 mm	3548 mm	808 kg	690 kg	1498 kg
BMP 12	24.0 m	12.9 m	452 m ²	3196 mm	4289 mm	973 kg	860 kg	1833 kg
BMP 14	28.0 m	14.9 m	616 m ²	3712 mm	5024 mm	1127 kg	1020 kg	2147 kg
BMP 18	36.0 m	18.9 m	1018 m ²	4280 mm	6045 mm	2225 kg	1195 kg	3420 kg

Distribution Deameter

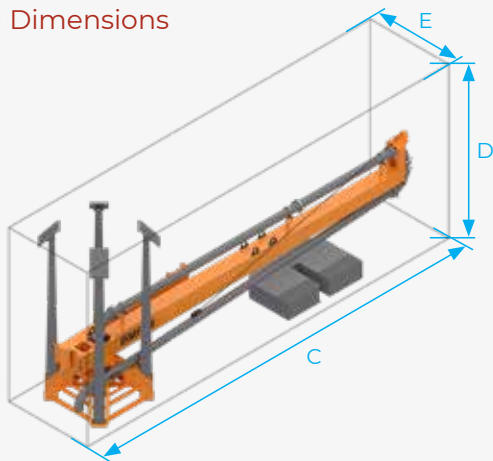


Length Dimensions



Top View

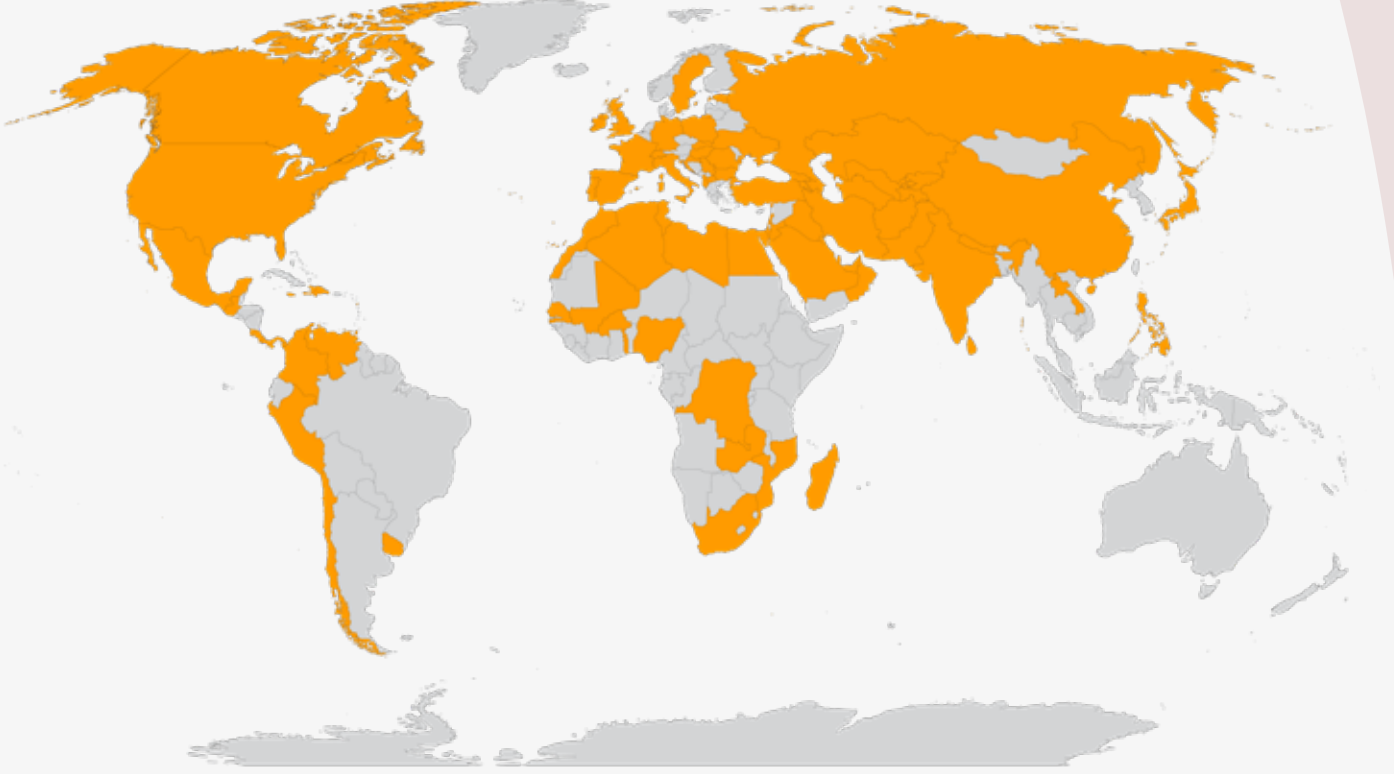
Shipping Dimensions



Models	C	D	E
BMP 8	4700 mm	1480 mm	1260 mm
BMP 10	5319 mm	1750 mm	1240 mm
BMP 12	6310 mm	2190 mm	1280 mm
BMP 14	7225 mm	2550 mm	1260 mm
BMP 18	11500 mm	2361 mm	1654 mm



Atabey; Common language of concrete
placer's in more than 80 countries



/AtabeyBetonMakinalari



/atabeyconstructionequipment



atabey construction equipment



ATABEY CONSTRUCTION EQUIPMENT

Address: Keresteciler San. Sit. 4. Cad. No: 39 Kahramankazan / Ankara - TURKEY
Phone: +90 312 441 11 33 Fax: +90 312 441 58 88
www.atabeymakina.com