



ROTARY DISTRIBUTORS

BMP

Series

- BMP 8
- BMP 10
- BMP 12
- BMP 14
- BMP 18



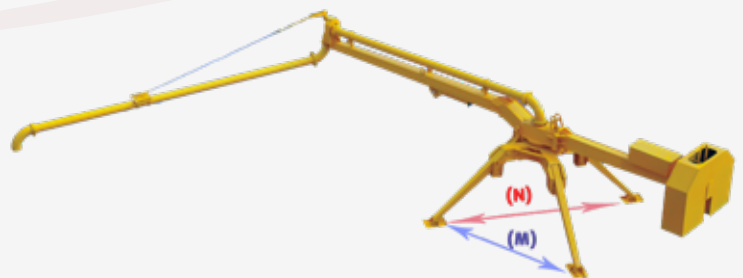
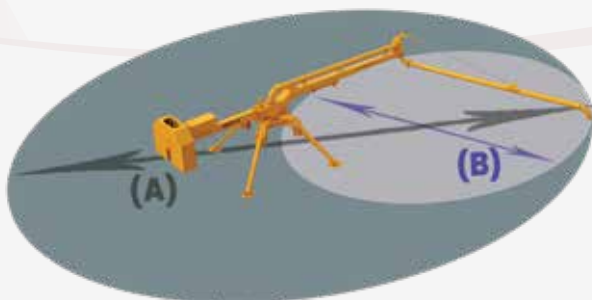
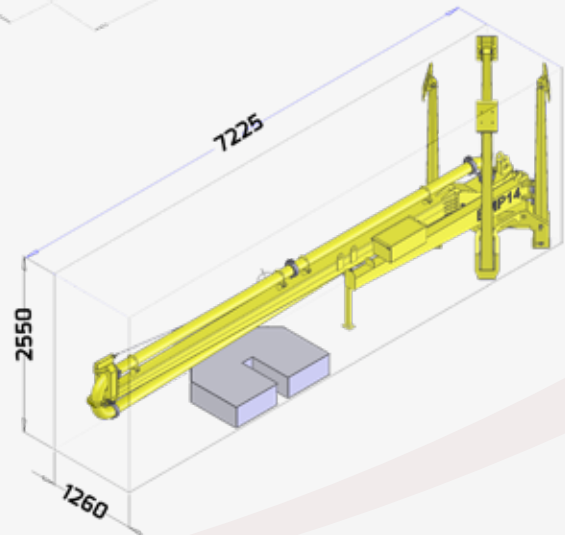
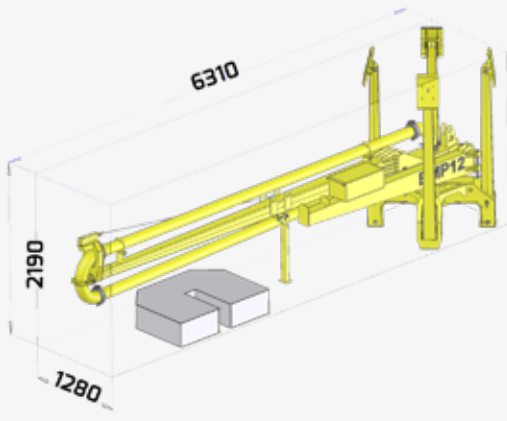
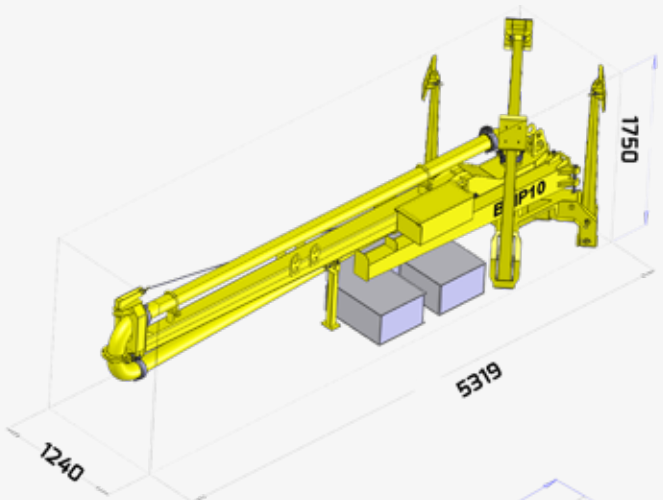
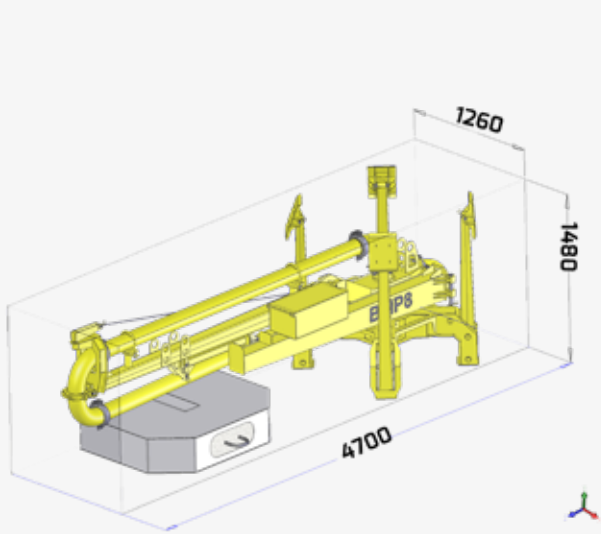
Lightest and Also Strongest!

- Easily Transported, Thanks to The Modular Structure
- Economical
- Lightest and Also Strongest In Its Class Thanks To the Unique Structure Reduces The Cost

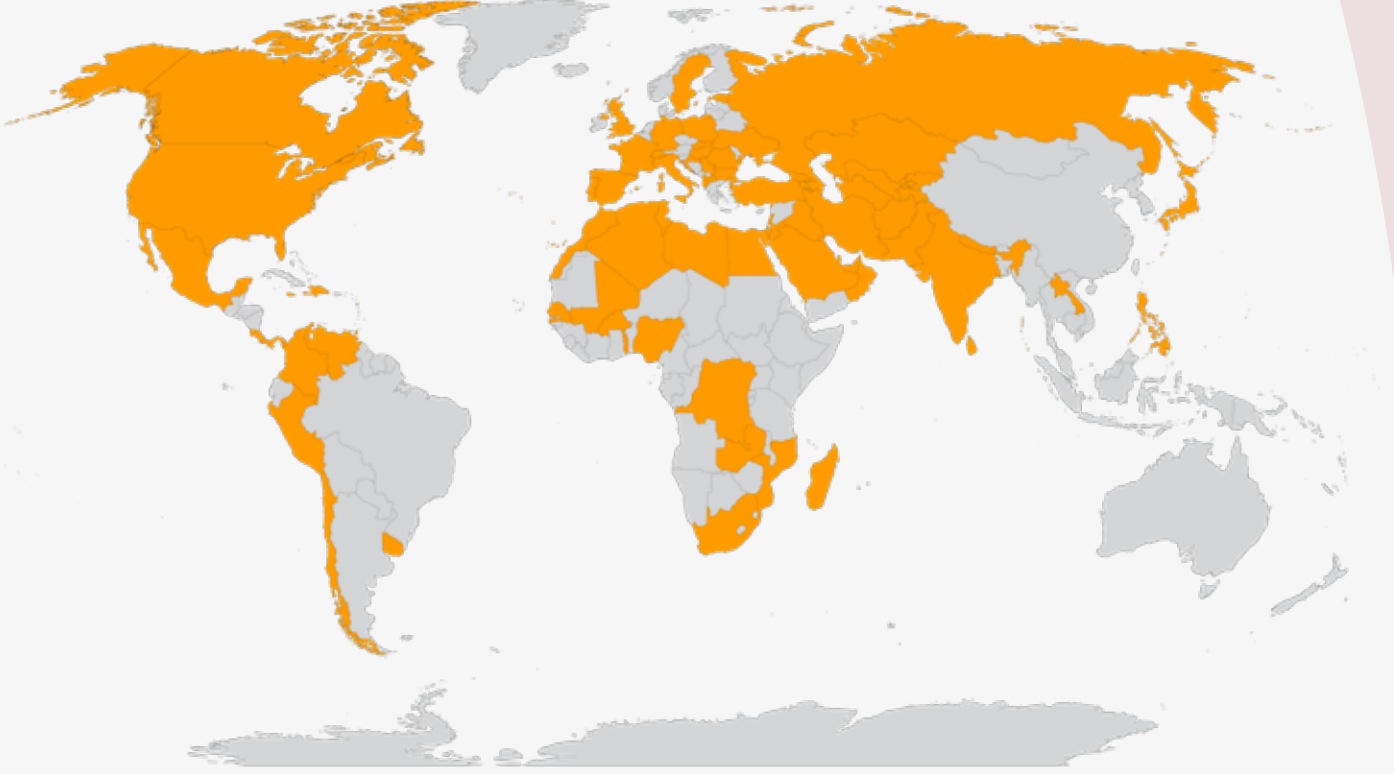


BMP Series / General Features

BMP								
MODELS	Distribution Deameter		Distribution Area	Length Dimensions		Weights		
	A	B		M	N	Chassis	Ballast	Total
BMP 8	16.0 m	8.9 m	201 m ²	2367 mm	2317 mm	706 kg	580 kg	1286 kg
BMP 10	20.0 m	10.9 m	314 m ²	2655 mm	3548 mm	808 kg	690 kg	1498 kg
BMP 12	24.0 m	12.9 m	452 m ²	3196 mm	4289 mm	973 kg	860 kg	1833 kg
BMP 14	28.0 m	14.9 m	616 m ²	3712 mm	5024 mm	1127 kg	1020 kg	2147 kg
BMP 18	36.0 m	18.9 m	1018 m ²	4280 mm	6045 mm	2225 kg	1195 kg	3420 kg



Atabey; Common language of concrete
placer's in more than 70 countries



/AtabeyBetonMakinalari



/atabeyconstructionequipment



atabey construction equipment



ATABEY CONSTRUCTION EQUIPMENT

Address: Keresteciler San. Sit. 4. Cad. No: 39 Kahramankazan / Ankara - TURKEY
Phone: +90 312 441 11 33 Fax: +90 312 441 58 88
www.atabeymakina.com